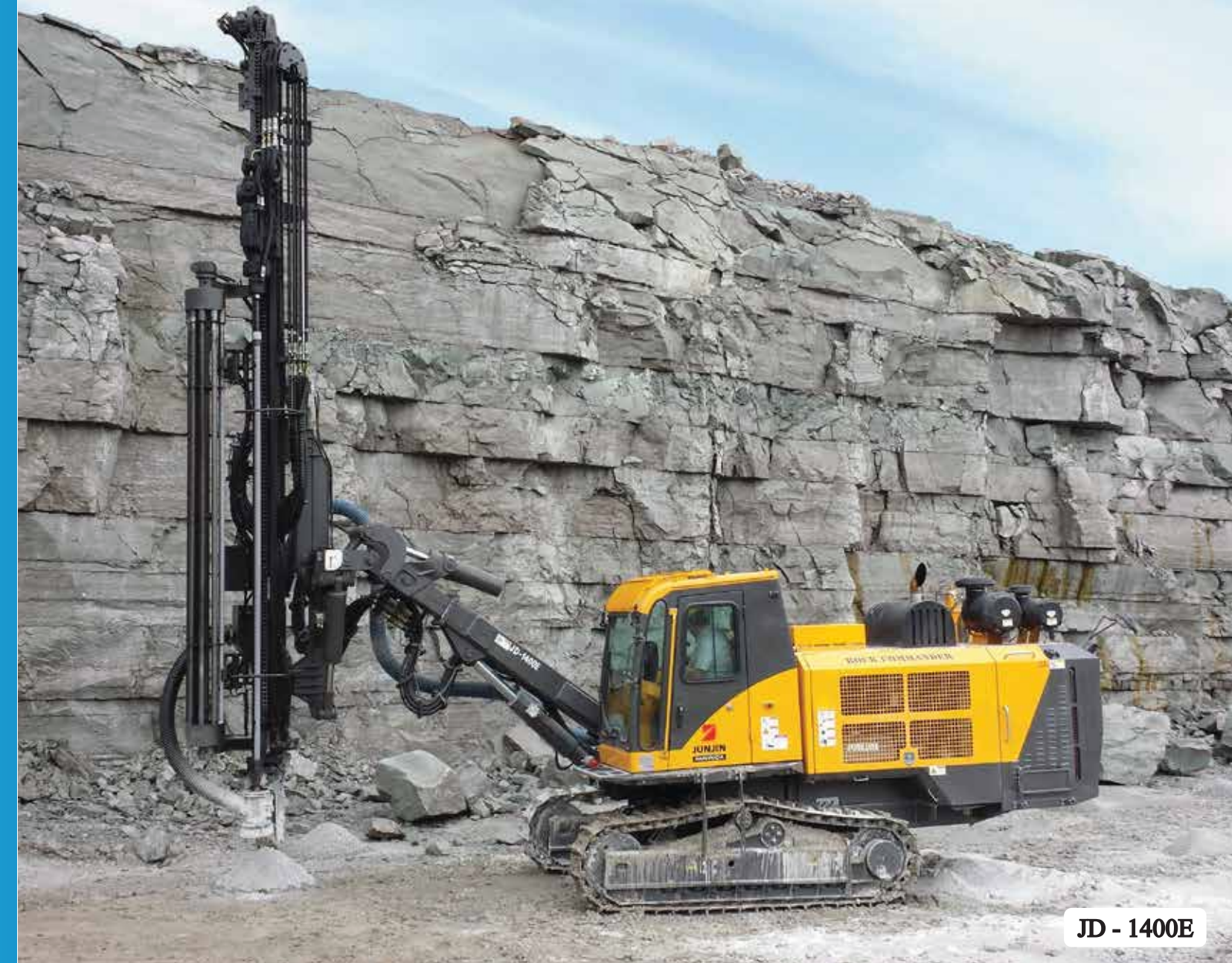


# ROCK COMMANDER®

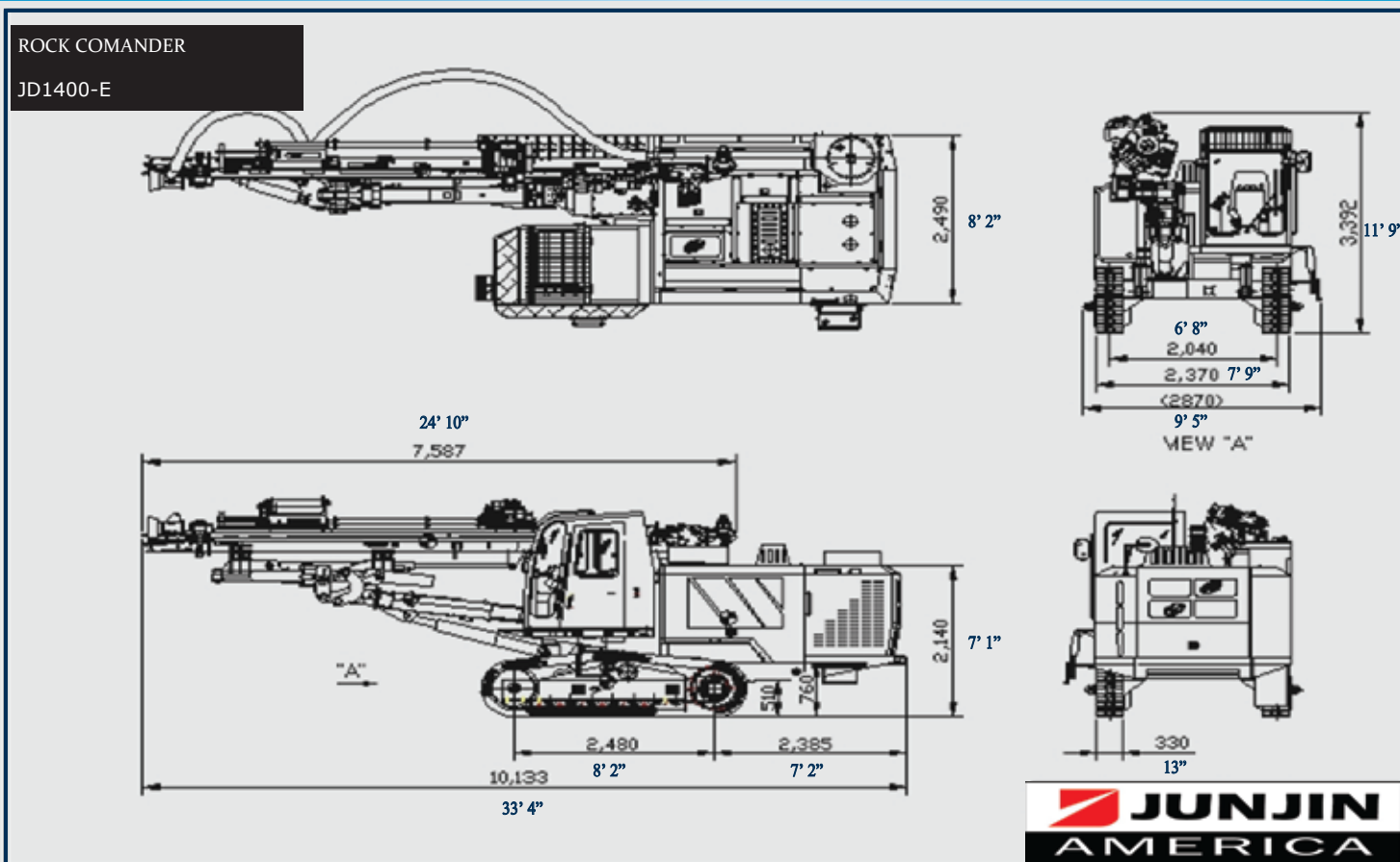
Simplifying Rock Drilling

ITEM		JD-1400E	
Overall Dimensions	Gross weight	kg/lbs	16000/35275
	Overall length	mm/ft	10133/33.3
	Overall width	mm/ft	2,870/9.4
	Overall height	mm/ft	3392/11.1
Crawler	Ground clearance	mm/ft	510/1.67
	Oscillating angle	degree	±10
	Gradeability	degree	28
	Traveling speed	kmh/mph	3.3/2.1
Engine	Model		QSC8.3-C
	Rated output	bhp /rpm	260/2,200
Drifter	Model		YH-135
	Weight	Kg/lbs	260/574
	Impact Frequency	Hz	40~45
	Rotational Torque	Kgfm/flbs	Max. 120/868
	Rotational Frequency	RPM	Max. 120
	Impact Pressure	bar/psi	Max. 140/2031
	Rotation Pressure	bar/psi	Max. 140/2031
	Flushing Pressure	bar/psi	Max 10.5/150

ITEM		JD-1400E	
Boom	Overall length	mm/ft	3000/9.9
	Lift angle	U/D.	50/18
	Swing angle	R/L.	23.5/35
Dust Collector	Number of filters		4
Bit & Rod	Bit diameter	mm/inch	Φ89 ~ Φ127 / 3.5"-5"
	Rod length	mm/ft	3660 / 12
	Rod section		T51
Hyd. Sys.	Hyd. pump		Rexroth Variable Piston Pump(41.6gpm)
Auto Rod Changer	Type		CAROUSEL TYPE
	Number of Rod	EA	6+1
Air-End	GHH-Rand Model:		CF90LG3
	Working pressure	kg-cm2 /psi	10.5/152
	Free air delivery	m3/cfm	11.3/400
Guide	Overall length	mm / ft	7587 / 24.9
	Slide length	mm/ft	1500/4.92
	Feed length	mm/ft	4564 / 15
	Swing angle	R/L.	90 / 25
	Tilt angle		158



JD - 1400E



JUNJIN AMERICA LLC  
 732 NORTH ENGLISH STATION  
 LOUISVILLE KY 40223



Phone: 502-244-0004  
 Website: JUNJIN.US  
 Email: JUNJIN.US@GMAIL.COM